

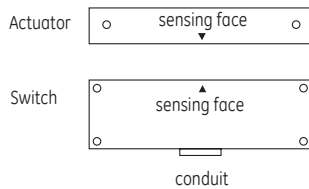
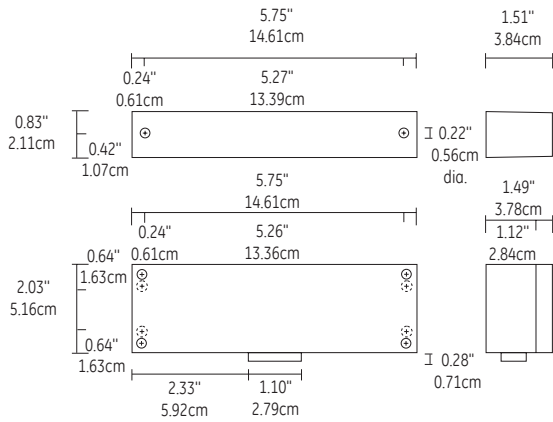


# Interlock Switch

## 371 GuardSwitch Explosion Proof

### Applications

- Explosive Environments
  - Automobile Paint Booths
  - Industrial Paint Booths
  - Chemical/Toxic Environments
  - Fertilizer Manufacturers
  - Grain Mills
- Requiring Highly Defeat Resistant Switches
- Enclosure UL classified for hazardous locations classes:
  - Class I, Group B, C, D
  - Class II, Group E, F, G
  - Class III, Divisions 1 & 2



### General Specifications

Enclosure	UL Explosion Proof, Black Anodized Die Cast Aluminum
Temperature Range	-40°F to 180°F (-40°C to 80°C)
Environmental	Hermetically Sealed Contact Switch Encapsulated in Polyurethane
NEMA Rating	1, 2, 5
Protection Class	IP 64
Response Time	1 msec (5.4VA); 10 msec (150VA)
Life Cycles	100,000 Under Full Load; Up to 200,000,000 Under Dry Circuit
Conduit Connection	1/2" Threaded NPT
UL	All Models



### Order Info. Electrical Specifications

Part No.	Contact <sup>1</sup> Config.	Load Rating		Switching Voltage, Max.		Switching Current, Max.		Contact Resistance	Sense Range <sup>2</sup>		Break Range	Terminal Type
		AC	DC	AC	DC	AC	DC		Max.	Min.		
371-CT	N.O.	2.5VA	2.5W	30V(@0.08A)	30V(@0.08A)	0.18A(@13.8V)	0.18A(@13.8V)	0.5 Ohms	0.5"(1.3cm)	0.25"(0.635cm)	1.2"(3.0cm)	#6 Screws
371-DT <sup>4</sup>	N.O.	150VA	NA	120V(@1.25A)	NA	1.25A(@120V) <sup>3</sup>	NA	NA	0.5"(1.3cm)	0.25"(0.635cm)	1.2"(3.0cm)	#6 Screws

**Warning— Each electrical rating is an individual maximum and cannot be exceeded!**

<sup>1</sup> Configuration with actuator away from the switch

<sup>2</sup> Proximity of ferrous materials usually reduces sense range — typically by 50%. The shape and type of material cause a wide diversity of effects. Testing is required to determine actual sense range for specific applications.

<sup>3</sup> Can withstand inrush surge up to 4 amps. Voltage drop is 1.5V, minimum switch current, 30 mA, triac output.

<sup>4</sup> Do not exceed 10 switches in series.

INTERLOCK SWITCH  
300 SERIES

